

ALL LUMBER AND RECYCLED PLASTIC LUMBER
WILL BE 3" X 4" NOMINAL SIZE

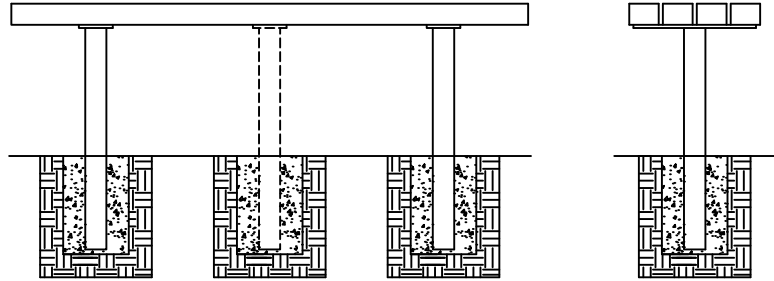
BENCHES COME IN 6 FT. & 8 FT. LENGTHS

FRAMES COME WITH THE OPTION OF GALVANIZED
COATING OR BLACK POWDER COATING

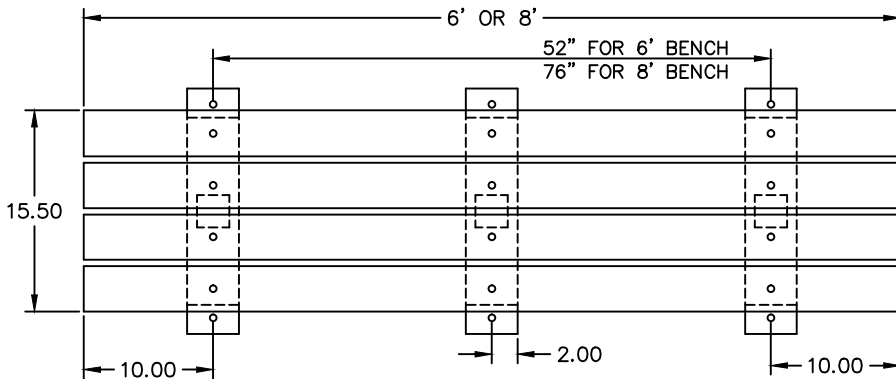
SEE PAGE 2 FOR ORDER SPECIFICATIONS

ALL SEAT BRACKETS AND FOOT
MOUNTING BRACKETS ARE
3/8" X 4" STEEL BAR STOCK

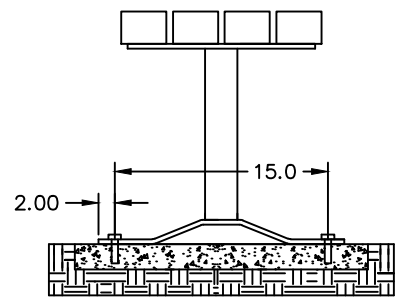
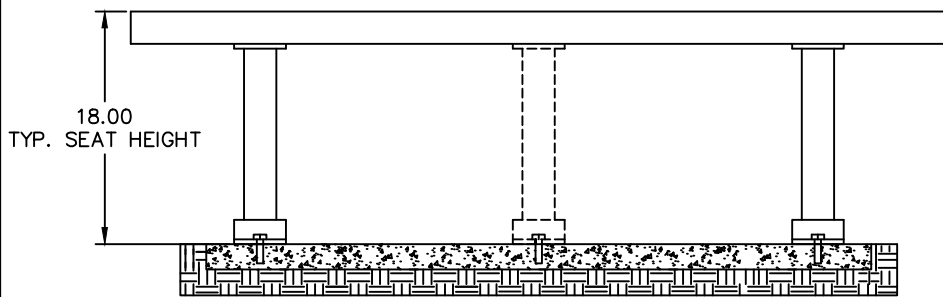
POSTS ARE 2 1/2" SQUARE TUBE



INGROUND MOUNT FRAMES SHOULD BE BURIED IN A SUFFICIENT AMOUNT
OF CONCRETE TO SECURELY HOLD UNIT IN PLACE FOR INTENDED USE AND
ENVIRONMENTAL CONDITIONS



NOTE:
CENTER FRAME IS REQUIRED
WITH RECYCLED PLASTIC LUMBER



FRAMES SHOULD BE ANCHORED TO A
CONCRETE PAD PROVIDED BY THE CUSTOMER

WARNING: MUST BE PERMANENTLY MOUNTED

CUSTOMER APPROVAL :

DATE :

JAMESTOWN
ADVANCED
PRODUCTS
CORPORATION

THIS DRAWING, WHICH CONTAINS PROPRIETARY INFORMATION, IS THE PROPERTY OF
JAMESTOWN ADVANCED PRODUCTS CORPORATION. IT SHALL NOT BE REPRODUCED IN ANY
MANNER NOR DISCLOSED TO THIRD PARTIES WITHOUT WRITTEN PERMISSION OF JAMESTOWN
ADVANCED PRODUCTS CORPORATION.

DATE : 10-20-00

PRODUCT PART NUMBER : 11638

REV. NO. 2 12/9/15

PRODUCT DESCRIPTION :
TRAIL SIDE BENCH
PAD MOUNT OR INGROUND MOUNT

2855 GIRTS ROAD
JAMESTOWN, NY 14701